



## DESCRIPTION

The airy design and the warm combination of teak and the soft woven straps, give the Mood collection an amazingly natural charm. The backs are handwoven with Tricord yarn that consists of polyolefin and polyester. The material is weather-resistant, but has nevertheless a very natural look and feel. The soft, rounded design of the table and chairs will create an intimate atmosphere on your patio.

## MATERIALS

- Frame: plantation teak from East-Java, every part is handpicked during the cutting process of the tree
- Back: weaving with Tricord® on an aluminium frame. The backs can be replaced individually. Tricord consists of an indestructible polyester core and an outside covering of weather resistant polyolefin. It is the ultimate combination of the strength of polyester and the natural look and feel of polyolefin: strong on the inside, soft on the outside. Tricord is exclusively designed for Tribù and is UV- and rot resistant.

## CUSHIONS

The cushions of the armchair, barchair and bench are made of dryfoam and therefore water-permeable. The cushions of the clubchair, lounge chair, sofa, lounge bed and daybed are water-repellent. The fillings of these cushions have a cover in a laminated, water-repellent polypropylene material which prevents water from penetrating. The thread used to stitch the seams swells when getting wet, preventing water from penetrating through the seams. Moreover, the seams are protected on the inside with an extra covering. If nevertheless water should penetrate, the material is breathable, letting moisture out to prevent moulding.

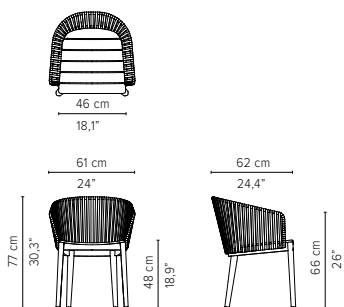
## COLOURS STRAPS



# MOOD

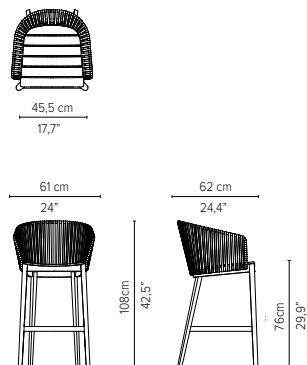
## TECHNICAL DRAWINGS

### 06218-xx - Armchair



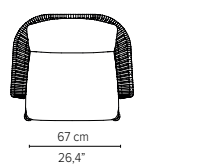
delivery unit: 1  
 packaging: 63 x 63 x H55 cm - 0,22 m<sup>3</sup>  
 11,5 kg  
 cushions:  
 C06218 (seat)  
 C06218BW  
 (lumbar cushion H24 cm)  
 C0628BHW  
 (high back cushion H38 cm)  
 C0628BCA  
 (casual back cushion H43 cm)

### 06216-xx - Barchair

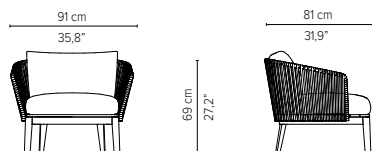


delivery unit: 1  
 packaging: 62 x 62 x H85 cm - 0,32 m<sup>3</sup>  
 14 kg  
 cushions: C06218 (seat)  
 C06218BW  
 (lumbar cushion H24 cm)  
 C0628BHW  
 (high back cushion H38 cm)  
 C0628BCA  
 (casual back cushion H43 cm)

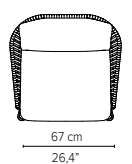
### 06202-xx - Clubchair



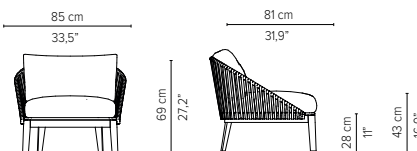
delivery unit: 1  
 packaging A: 71 x 70 x H10 cm  
 0,05 m<sup>3</sup> - 10,7 kg  
 packaging B: 92 x 56 x H73 cm  
 0,37 m<sup>3</sup> - 8,5 kg  
 cushions: art. C06202W (seat)  
 0,07 m<sup>3</sup> - 2,7 kg  
 C06202BW (regular back)  
 0,03 m<sup>3</sup> - 1 kg  
 C06202BCA (casual back)



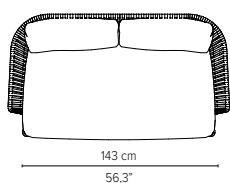
### 06203-xx - Lounge chair



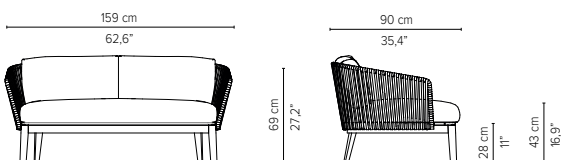
delivery unit: 1  
 packaging A: 71 x 70 x H10 cm  
 0,05 m<sup>3</sup> - 10,7 kg  
 packaging B: 98 x 89 x H49 cm  
 0,48 m<sup>3</sup> - 8,5 kg  
 cushions: C06202W (seat)  
 C06202BW (regular back)



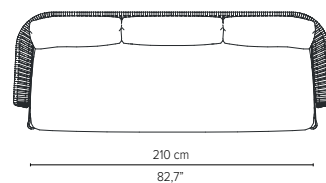
### 06208-xx - Sofa 2-seater



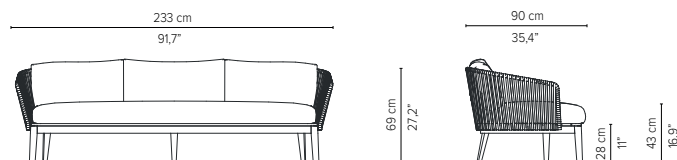
delivery unit: 1  
 packaging A: 145 x 70 x H10 cm  
 0,10 m<sup>3</sup> - 13,5 kg  
 packaging B: 163 x 75 x H50 cm  
 0,60 m<sup>3</sup> - 9 kg  
 cushions: C06208W (seat)  
 C06208B-SET (2 regular backs)  
 C06208BCA-SET (2 casual backs)



### 06209-xx - Sofa 3-seater



delivery unit: 1  
 packaging A: 214 x 77 x H12 cm  
 0,19 m<sup>3</sup> - 30 kg  
 packaging B: 236 x 81 x H54 cm  
 1,03 m<sup>3</sup> - 15 kg  
 cushions: C06209W (seat)  
 C06209B-SET (3 regular backs)  
 C06209BCA-SET (3 casual backs)

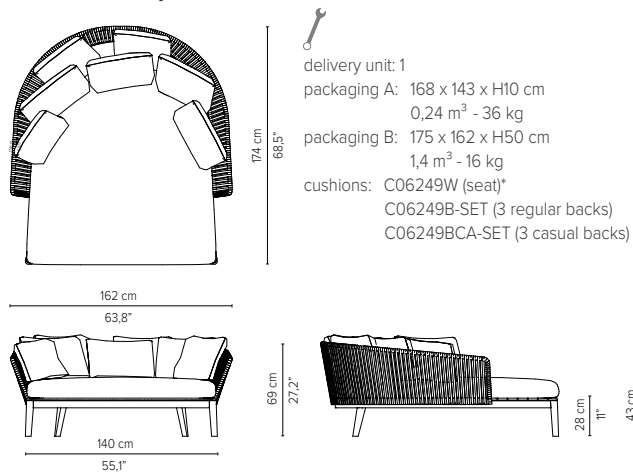


\* Appearances, measurements and weights may slightly differ from reality.  
 The cushions on the drawings are not included in the article.

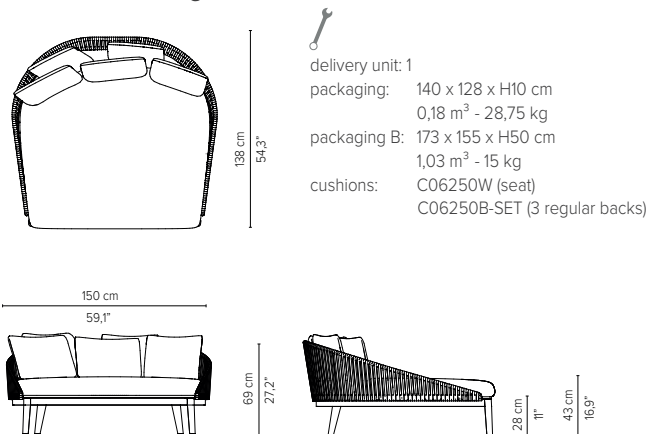
# MOOD

## TECHNICAL DRAWINGS

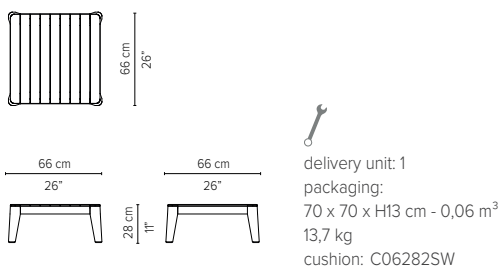
### 06249-xx Daybed



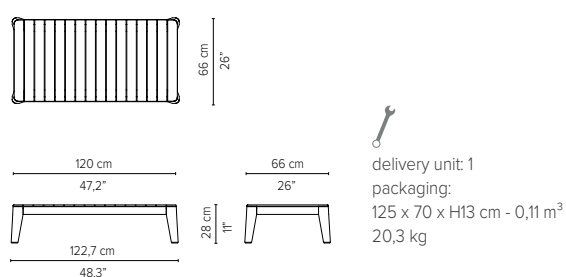
### 06250-xx Lounge bed



### 06282 - Coffee table 66 x 66 cm



### 06284 - Coffee table 120 x 66 cm



\* Appearances, measurements and weights may slightly differ from reality.  
The cushions on the drawings are not included in the article.

# MOOD

---

## PROTECTION COVERS

For each item a cover is available that protects the furniture against dirt. These covers in grey colour are made of PU coated polyester which is water-repellent and UV-resistant. Thanks to their excellent breathable qualities the covers reduce condensation and heat build-up, helping to prevent the formation of mold and mildew. Nevertheless, they are not 100% waterproof. Always make sure that furniture, cushions and covers are completely dry before covering furniture.

## MAINTENANCE

### Teak

Treat new teak with Teak Protector 4 to 6 weeks after installation. Teak Protector applies an invisible film that prevents stains and green deposit. Soiled teak can be cleaned with Teak Super Cleaner. Leave the furniture to dry completely and then apply Teak Protector. To avoid labour-intensive cleaning, you can treat the wood with Teak Sealer. A simple cleaning with water and a pH-neutral soap will do for many years. Teak Sealer contains UV protection to slow down the graying from the sun as well as a fungicide to prevent the growth of mold and mildew.



D9914  
Teak Super  
Cleaner



D9912  
Teak Protector



D9959  
Teak Sealer

### Straps

Before use we recommend to treat the Tricord straps with Textile Protector which applies an invisible, dirt- and water repellent film. The weave can be cleaned with clear water and a pH-neutral detergent or Synthetics Super Cleaner. Allow the detergent to act for a while, then rinse abundantly with clean water. Drying may take a while on cloudy days.



D9922  
Synthetics  
Super Cleaner



D9924  
Textile Protector

# MOOD

---

## TECHNICAL STANDARDS

### 06218 Armchair



ANSI/BIFMA X5.1-2011

EN1022:2005 6  
EN581-1:2006 5  
EN 1728:2012

ASTM B117-11 (MOD.)

CPSD-HL-01010-MTHD  
CPSD-HL-01012-MTHD  
CPSD-HL-01063-MTHD

AATCC 16  
AATCC 106  
AATCC 162

---

### 06202 Clubchair



ANSI/BIFMA X5.1-2011

EN1022:2005 6  
EN581-1:2006 5  
EN 1728:2012

ASTM B117-11 (MOD.)

CPSD-HL-01010-MTHD  
CPSD-HL-01012-MTHD  
CPSD-HL-01063-MTHD

AATCC 16  
AATCC 106  
AATCC 162

---

### 06216 Barchair



ANSI/BIFMA X5.1-2011

EN1022:2005 6  
EN581-1:2006 5  
EN 1728:2012

ASTM B117-11 (MOD.)

CPSD-HL-01010-MTHD  
CPSD-HL-01012-MTHD  
CPSD-HL-01063-MTHD

AATCC 16  
AATCC 106  
AATCC 162

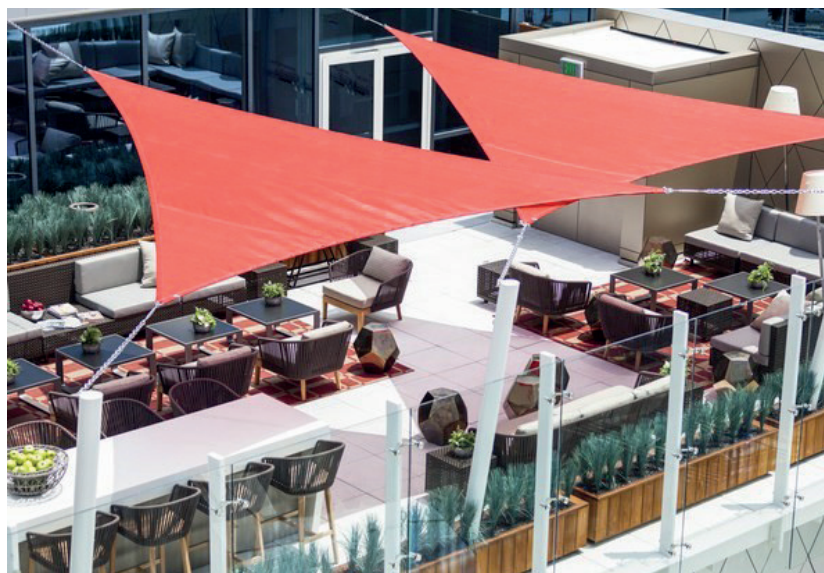
---

# MOOD

PROJECT REFERENCES



Hotel Christopher, Saint-Barth – Mood armchair, barchair, clubchair & sofa



Delta Sky Deck at JFK and ATL Airport – Mood clubchair & barchair



Spa at Hard Rock Hotel Ibiza – Mood daybed, clubchair & sofa 232cm



# MOOD

PROJECT REFERENCES



Four Seasons, Kyoto, Japan – Mood clubchair, sofa & armchair



St-Regis Vommuli Resort, Maldives – Mood daybed, clubchair & armchair



Four Seasons Megève, France – Mood clubchairs